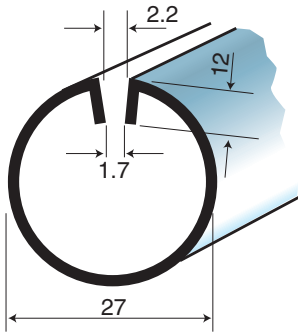
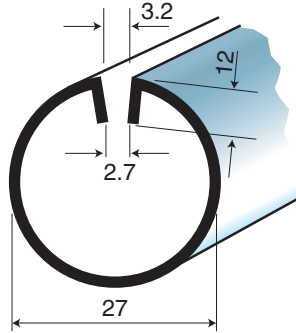


304 Stainless Steel Edging Profiles

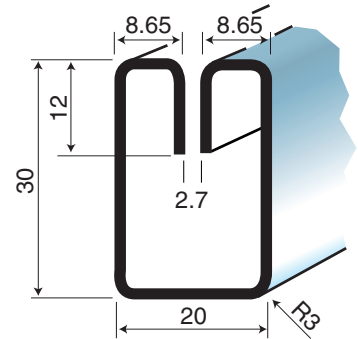
LR 27 - 1.7



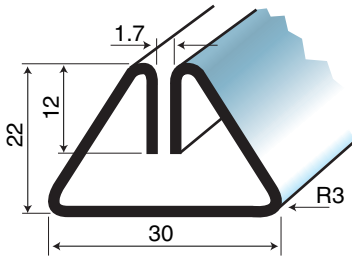
LR 27 - 2.7



LE 20 x 30 - 2.7



LD 30 x 22 - 1.7



Reference No	Wall	Gap
LR 27 - 1.7	1.5	1.7
LR 27 - 2.7	1.5	2.7
LE 20 x 30 - 2.7	1.5	2.7
LD 30 x 22 - 1.7	1.5	1.7