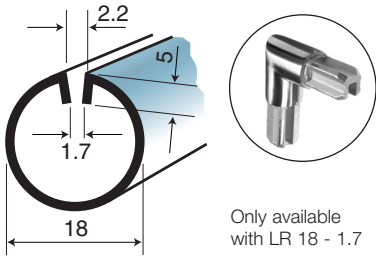
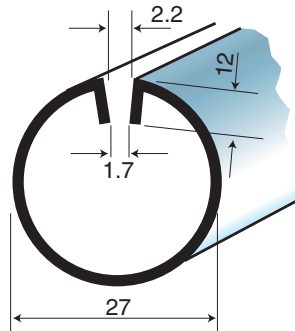


Galvanised Edging Profiles

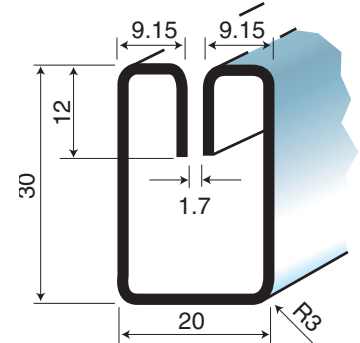
LR 18 - 1.7



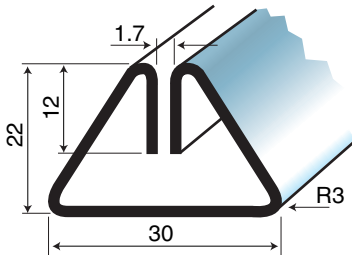
LR 27 - 1.7



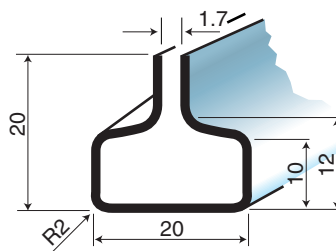
LE 20 x 30 - 1.7



LD 30 x 22 - 1.7



LT 20 x 20 - 1.7



Reference No	Wall	Gap
LR 18 - 1.7	1.25	1.7
LR 27 - 1.7	1.5	1.7
LT 20 x 20 - 1.7	1.25	1.7
LE 20 x 30 - 1.7	1.5	1.7
LD 30 x 22 - 1.7	1.5	1.7